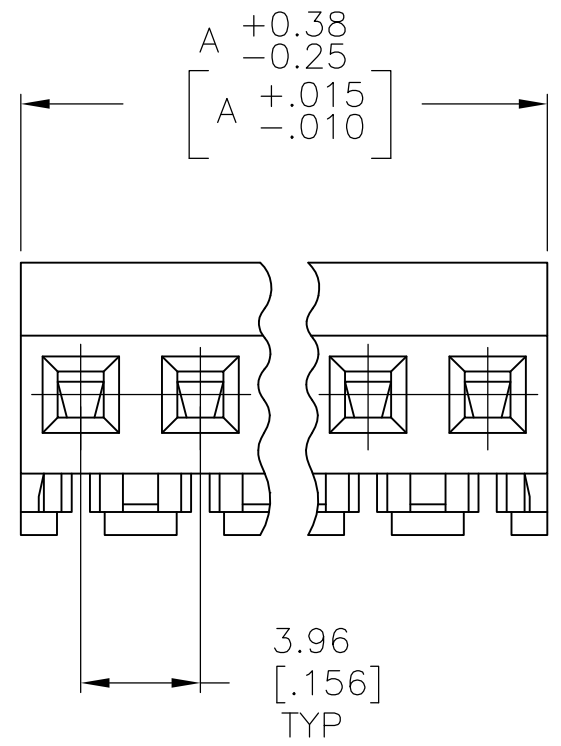
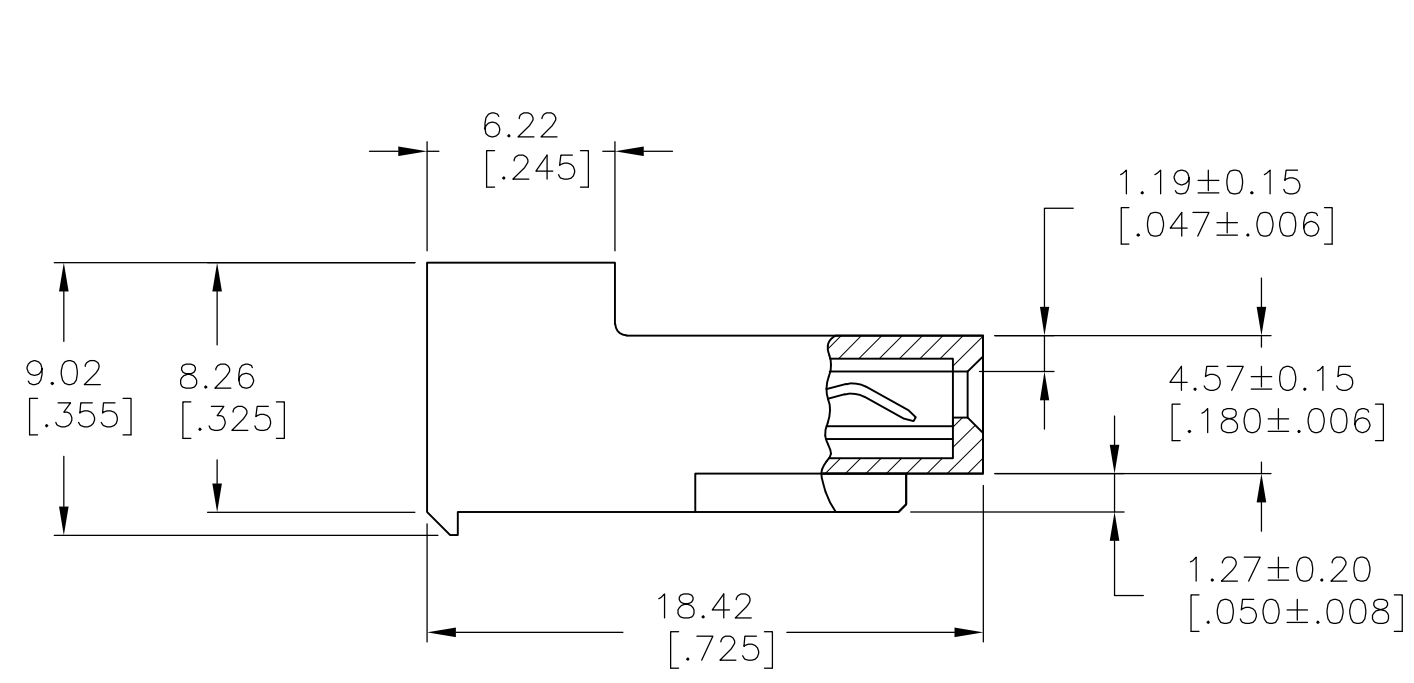
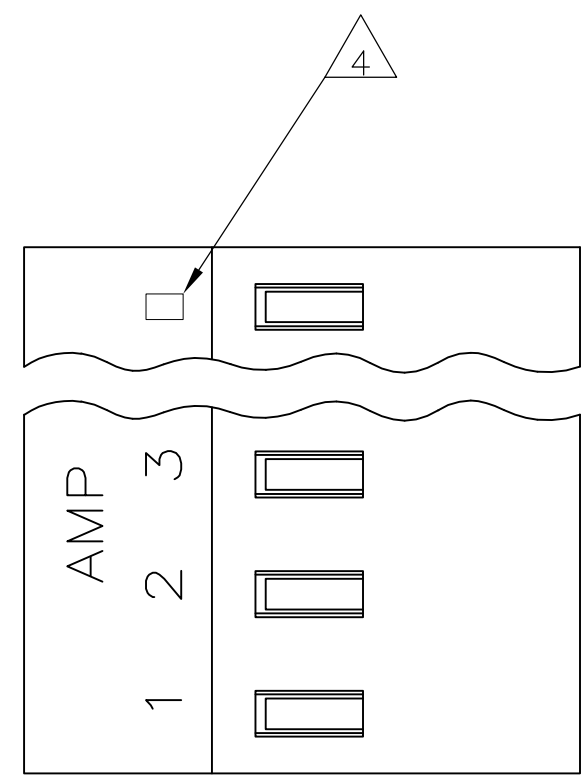


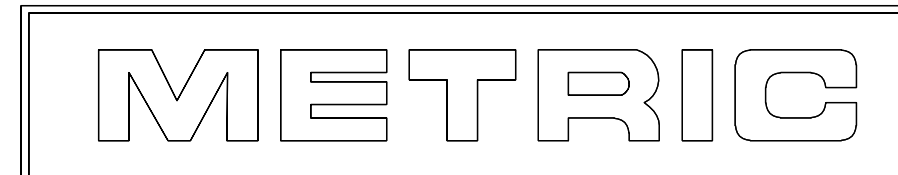
THIS DRAWING IS UNPUBLISHED. RELEASED FOR PUBLICATION
 © COPYRIGHT BY TYCO ELECTRONICS CORPORATION. ALL RIGHTS RESERVED.

LOC	DIST	REVISIONS					
CM	00	P	LTR	DESCRIPTION	DATE	DWN	APVD
		T		ECO-07-012870	14JUN07	KW	DB



95.10	[3.744]	24	5-641222-4
91.14	[3.588]	23	5-641222-3
87.17	[3.432]	22	5-641222-2
83.21	[3.276]	21	5-641222-1
79.25	[3.120]	20	5-641222-0
75.29	[2.964]	19	4-641222-9
71.32	[2.808]	18	4-641222-8
67.36	[2.652]	17	4-641222-7
63.40	[2.496]	16	4-641222-6
59.44	[2.340]	15	4-641222-5
55.47	[2.184]	14	4-641222-4
51.51	[2.028]	13	4-641222-3
47.55	[1.872]	12	4-641222-2
43.59	[1.716]	11	4-641222-1
39.62	[1.560]	10	4-641222-0
35.66	[1.404]	9	3-641222-9
31.70	[1.248]	8	3-641222-8
27.74	[1.092]	7	3-641222-7
23.77	[.936]	6	3-641222-6
19.81	[.780]	5	3-641222-5
15.85	[.624]	4	3-641222-4
11.89	[.468]	3	3-641222-3
7.92	[.312]	2	3-641222-2
95.10	[3.744]	24	2-641222-4
91.14	[3.588]	23	2-641222-3
87.17	[3.432]	22	2-641222-2
83.21	[3.276]	21	2-641222-1
79.25	[3.120]	20	2-641222-0
75.29	[2.964]	19	1-641222-9
71.32	[2.808]	18	1-641222-8
67.36	[2.652]	17	1-641222-7
63.40	[2.496]	16	1-641222-6
59.44	[2.340]	15	1-641222-5
55.47	[2.184]	14	1-641222-4
51.51	[2.028]	13	1-641222-3
47.55	[1.872]	12	1-641222-2
43.59	[1.716]	11	1-641222-1
39.62	[1.560]	10	1-641222-0
35.66	[1.404]	9	641222-9
31.70	[1.248]	8	641222-8
27.74	[1.092]	7	641222-7
23.77	[.936]	6	641222-6
19.81	[.780]	5	641222-5
15.85	[.624]	4	641222-4
11.89	[.468]	3	641222-3
7.92	[.312]	2	641222-2
DIM A		NO OF CIRCUITS	PART NO

- 1 MATERIAL: CONNECTOR - NYLON UL94V-2 (ORANGE).
CONTACTS - 0.00076 [.000030] GOLD IN CONTACT AREA WITH BRIGHT TIN-LEAD FOR -2 THRU -28, MATTE WHISKER MITIGATED TIN FOR 3-641222-2 THRU 5-641222-4 OVER NICKEL UNDERPLATE.
- 2. CONTACTS ACCEPT 18 AWG WIRE WITH 2.41[.095] MAX INSULATION DIAMETER.
- 3. CONTACTS MUST ACCEPT 1.14±0.03 [.045±.001] SQUARE POST AND REMAIN LOCKED IN POSITION.
- 4 IDENTIFICATION NUMBER FOR LAST CIRCUIT MAY NOT APPEAR ON ALL ASSEMBLIES.
- 5. DIMENSIONS IN BRACKETS ARE IN INCHES.
- 6. HOUSING FEATURES ARE: CLOSED END WITHOUT LOCKING RAMP.



THIS DRAWING IS A CONTROLLED DOCUMENT.

DIMENSIONS: mm [INCHES]	TOLERANCES UNLESS OTHERWISE SPECIFIED: 0 PLC ± - 1 PLC ± - 2 PLC ± - 3 PLC ± - 4 PLC ± - ANGLES ± -	DWN B. LEWIS 12 FEB 91 CHK R. SWING 12 FEB 91 APVD D. CLARK 21 FEB 91	Tyco Electronics Corporation Harrisburg, Pa 17105-3608
MATERIAL 1	FINISH 1	PRODUCT SPEC 108-1051 APPLICATION SPEC 114-1020	NAME MTA-156 CONNECTOR ASSEMBLY, 18 AWG, STANDARD
CUSTOMER DRAWING		WEIGHT -	SIZE A2 CAGE CODE 00779 DRAWING NO C=641222 RESTRICTED TO -
		SCALE 4:1	SHEET 1 OF 1 REV T